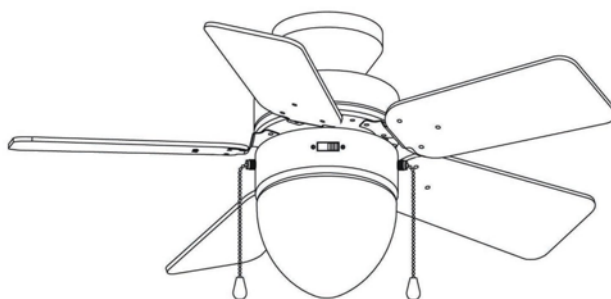
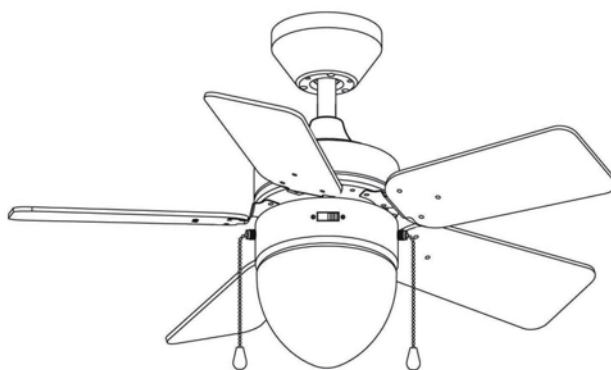


# GLOBO

FAN 0332

[www.globo-lighting.com](http://www.globo-lighting.com)

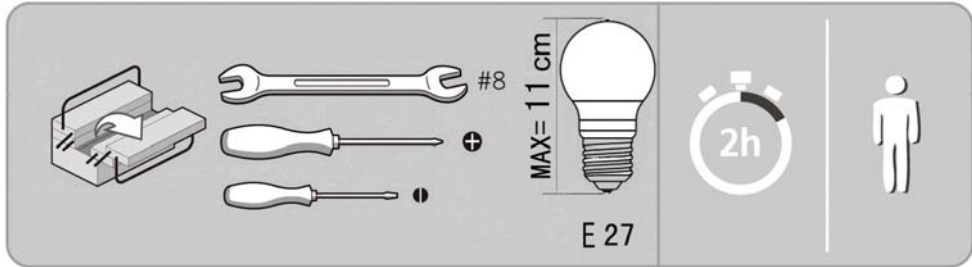
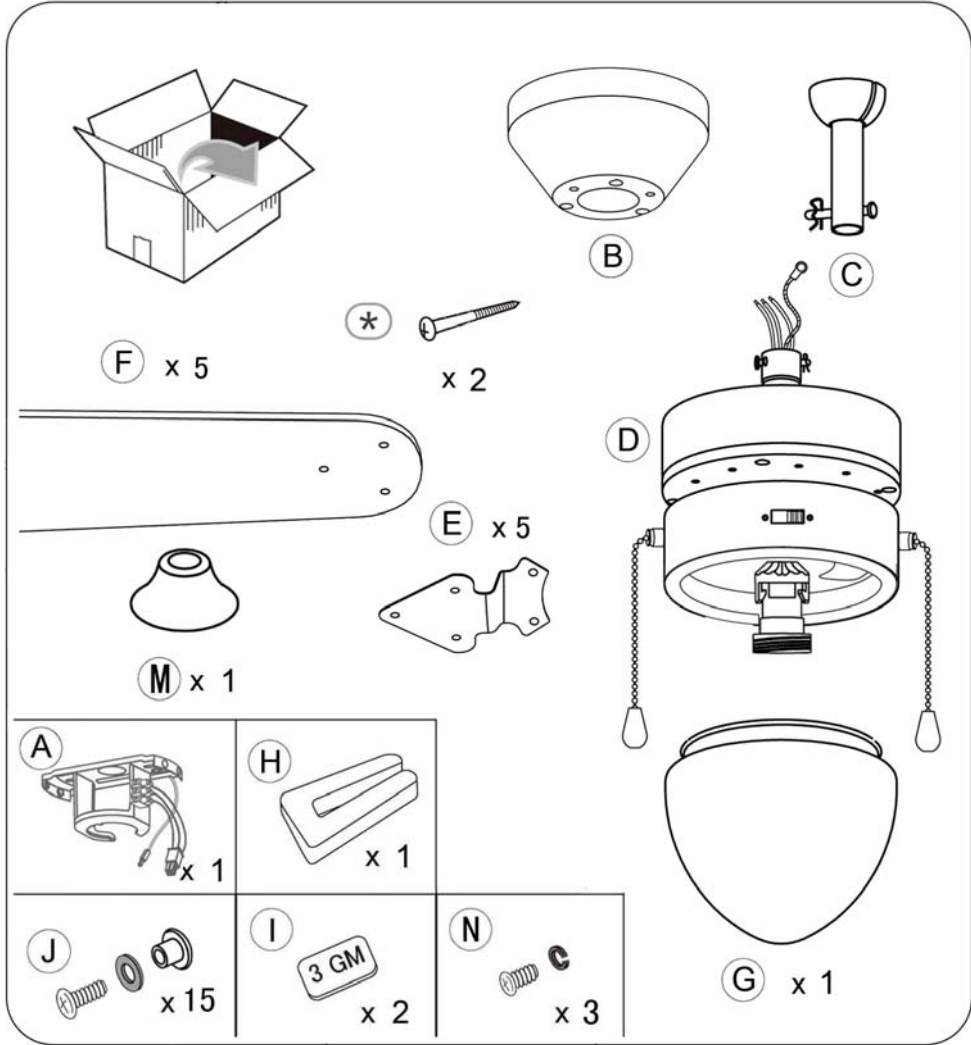


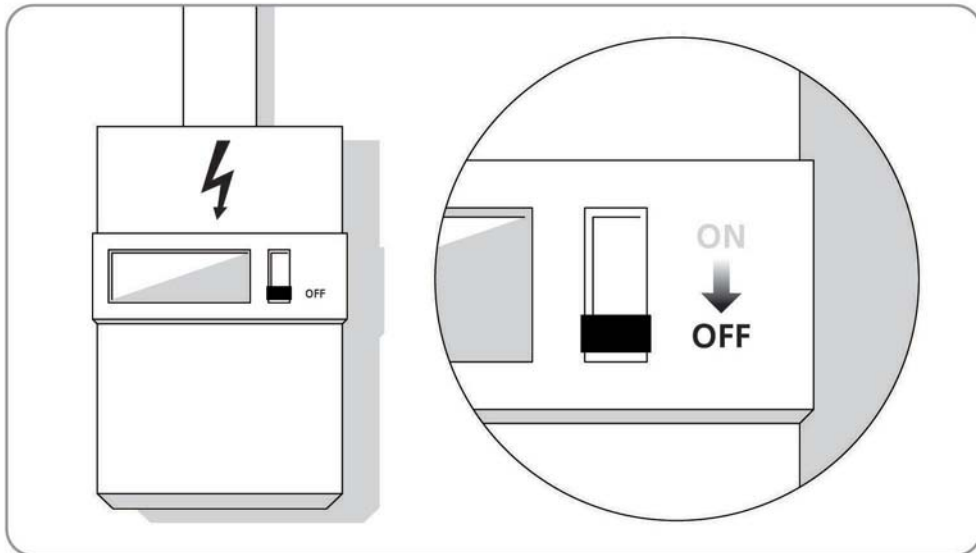
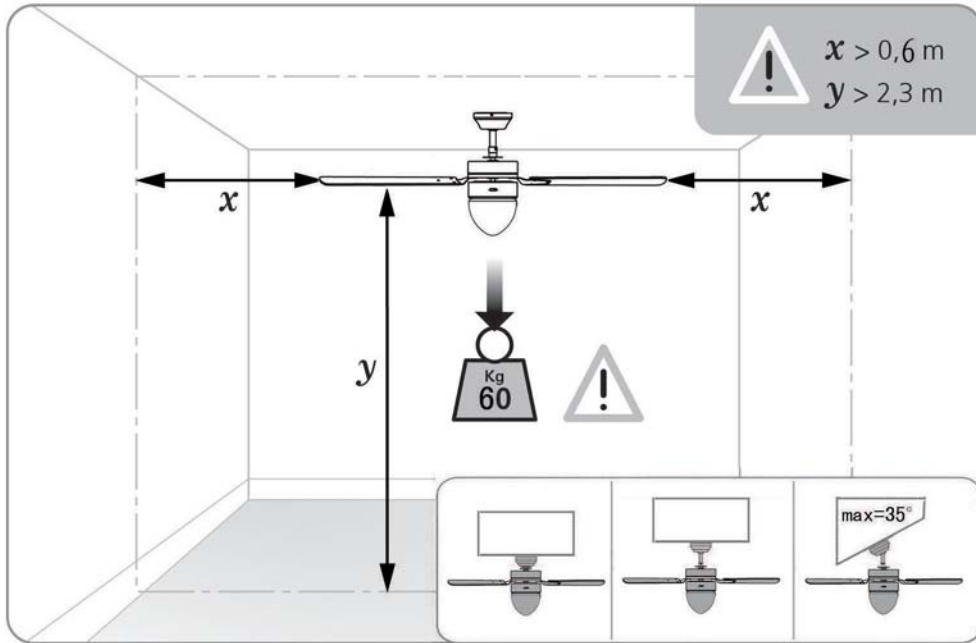
**GLOBO Handels GmbH**

St.Peter 38  
A-9184 St.Jakob/Rosental

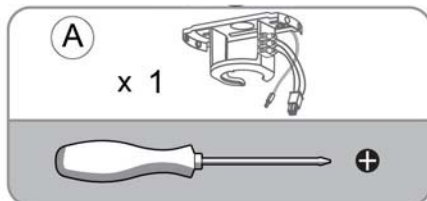
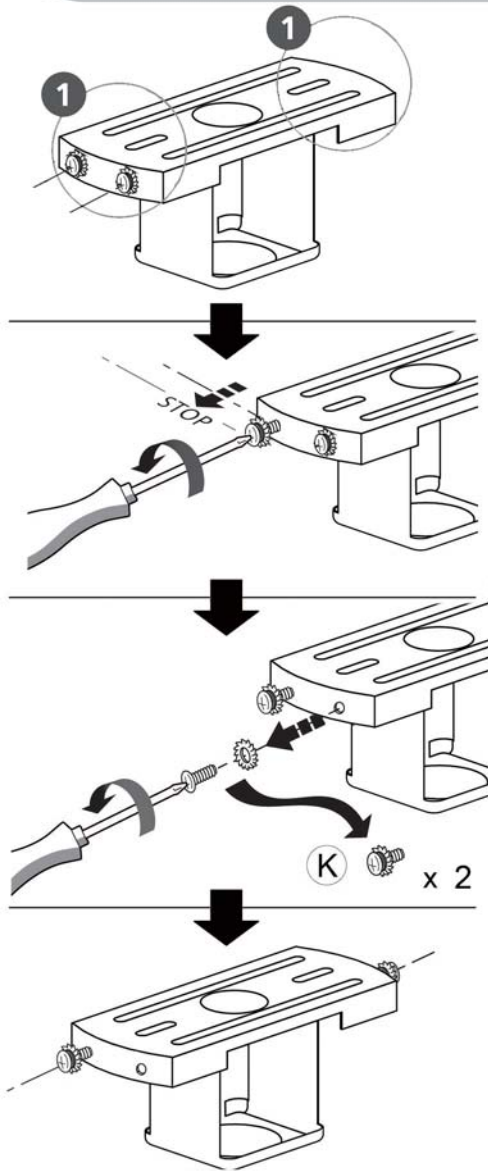
T30  
INPUT: 220-240V~50Hz  
MOTOR: 50W  
BULB: 1 x max 60W E27 excl.



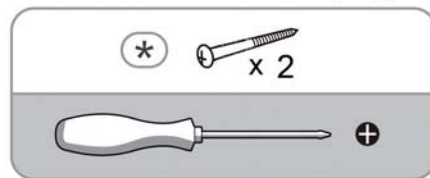
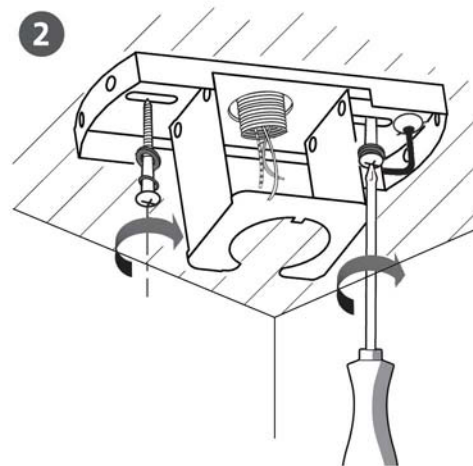




1



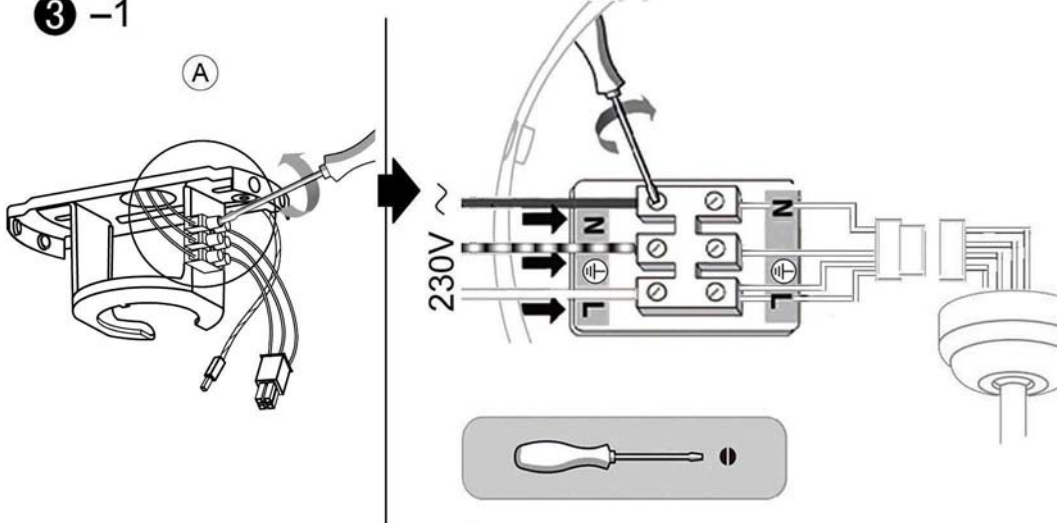
2



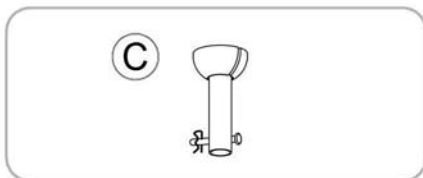
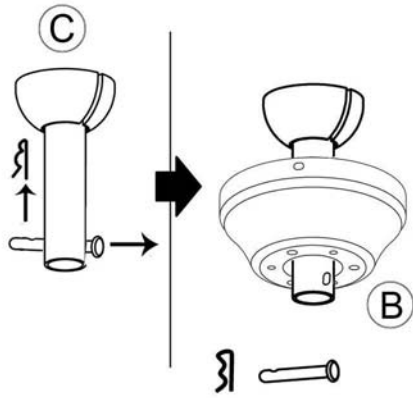


2

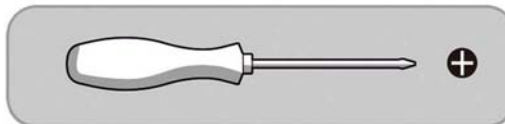
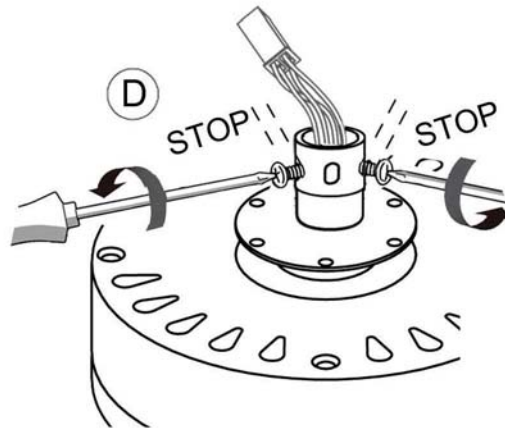
3 -1



4 -1



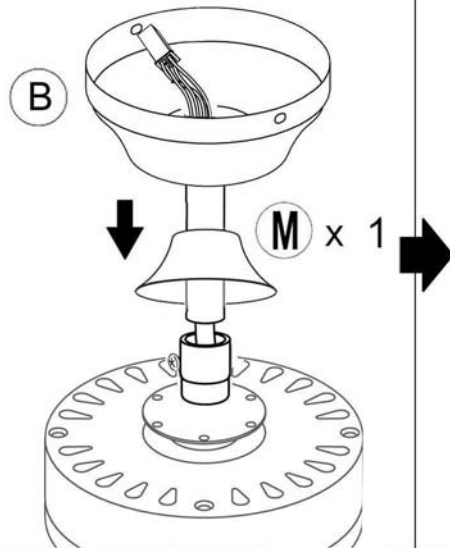
5 -1



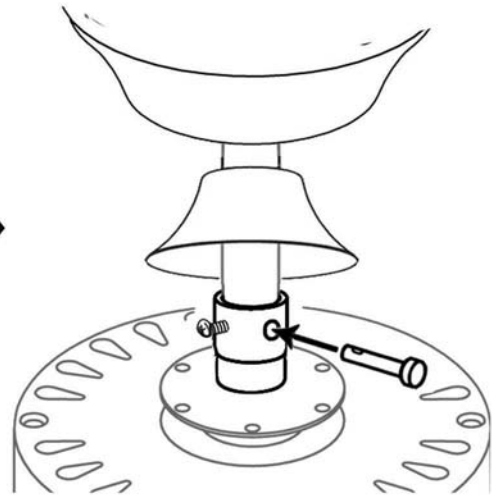
3



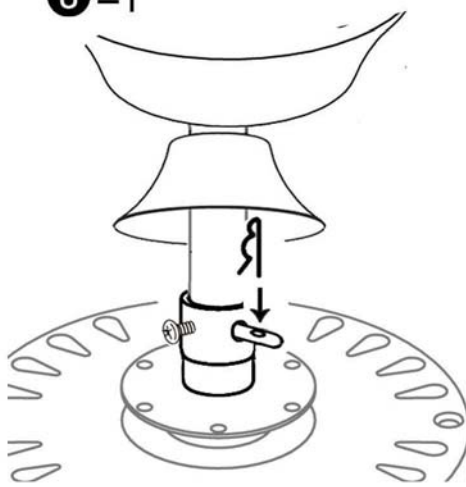
6-1



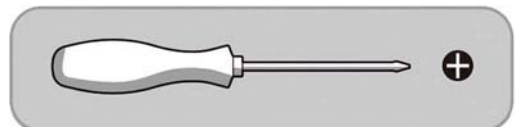
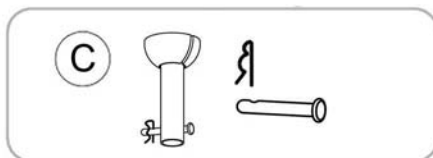
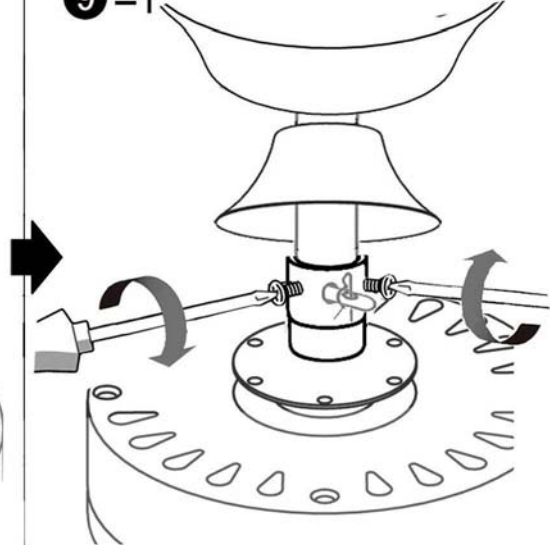
7-1



8-1

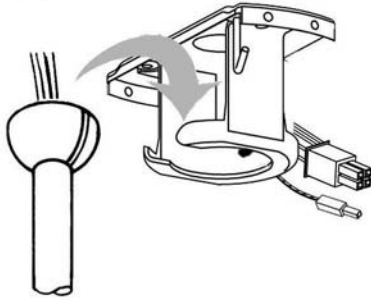


9-1

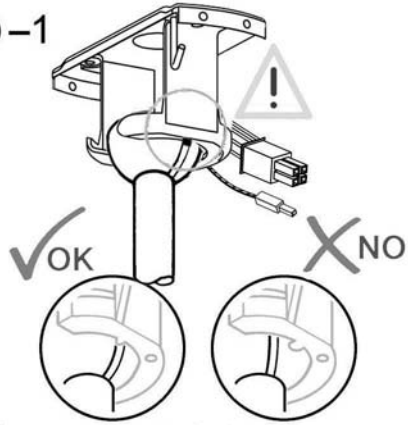




10-1

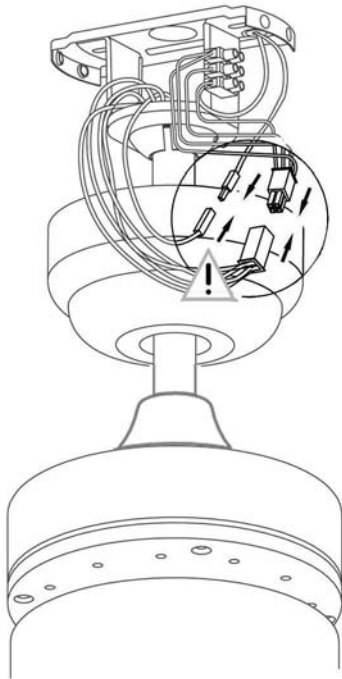


11-1

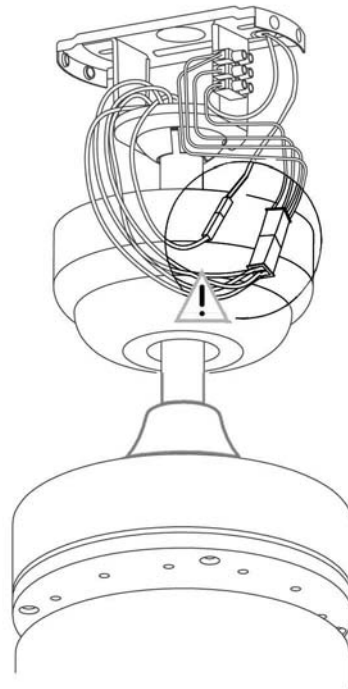


A

12-1



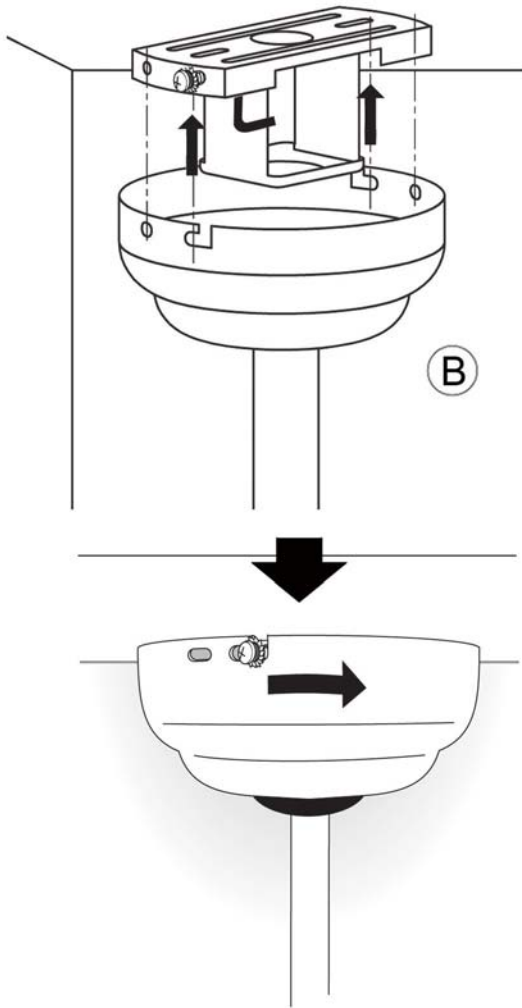
13-1



5

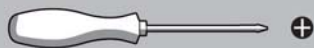
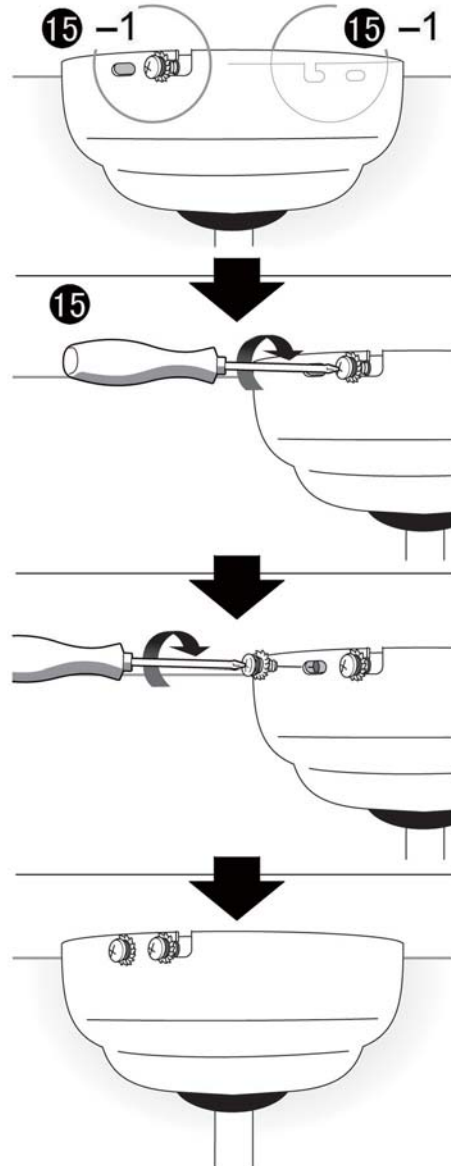


14 -1



15 -1

15 -1



+

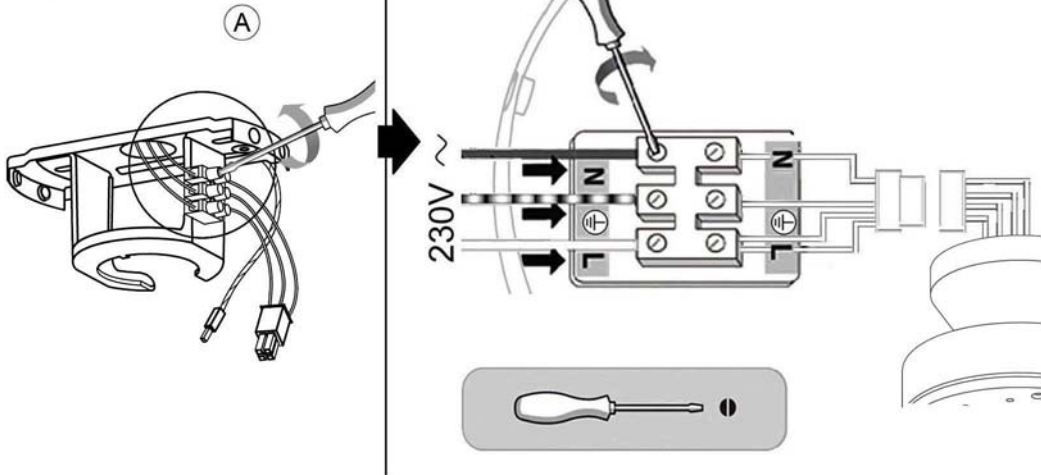
(K)  x 2



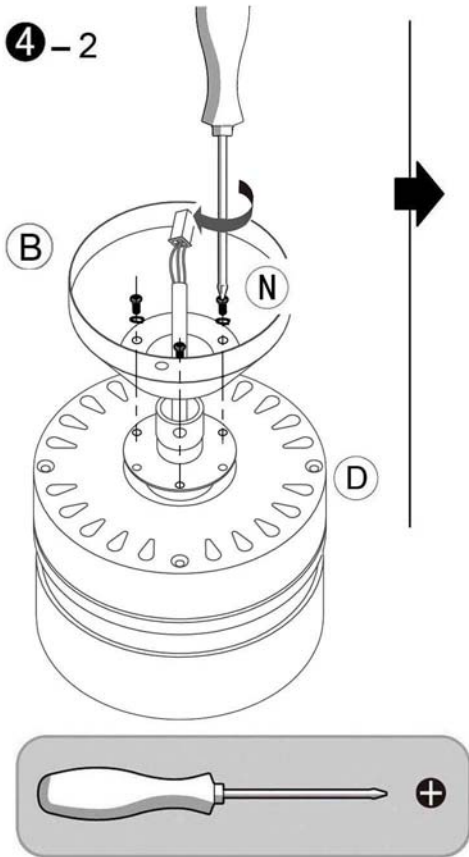


6

3-2

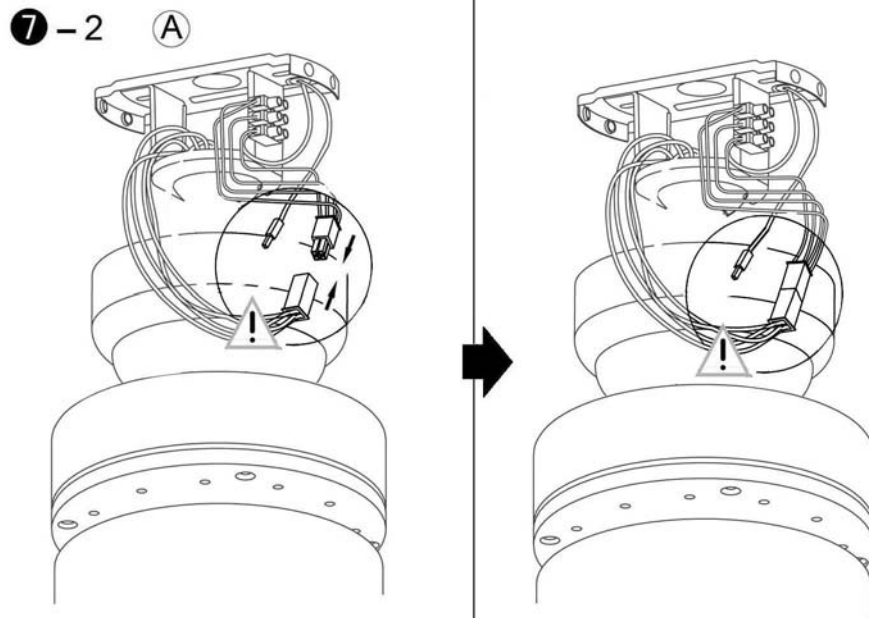
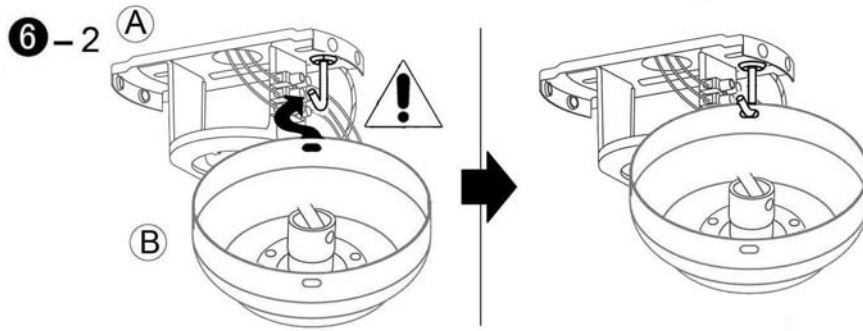


4-2



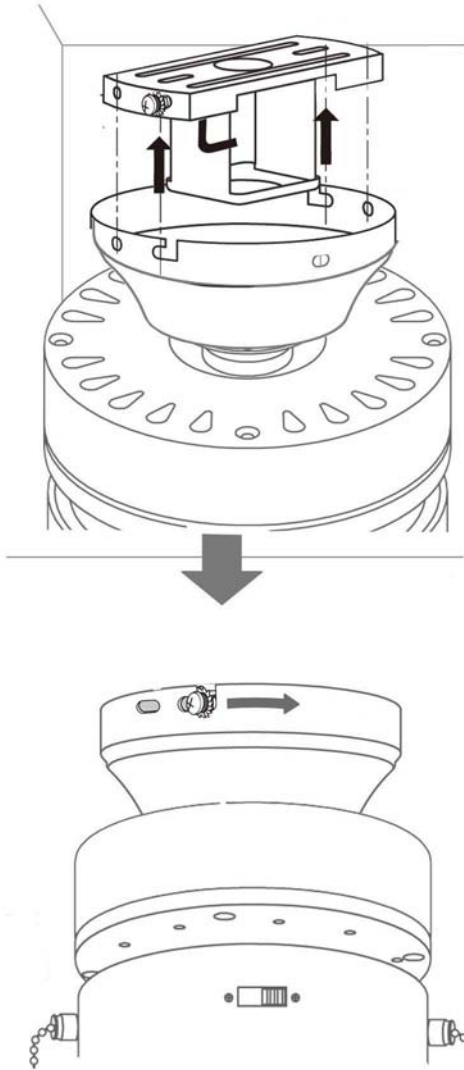
5-2



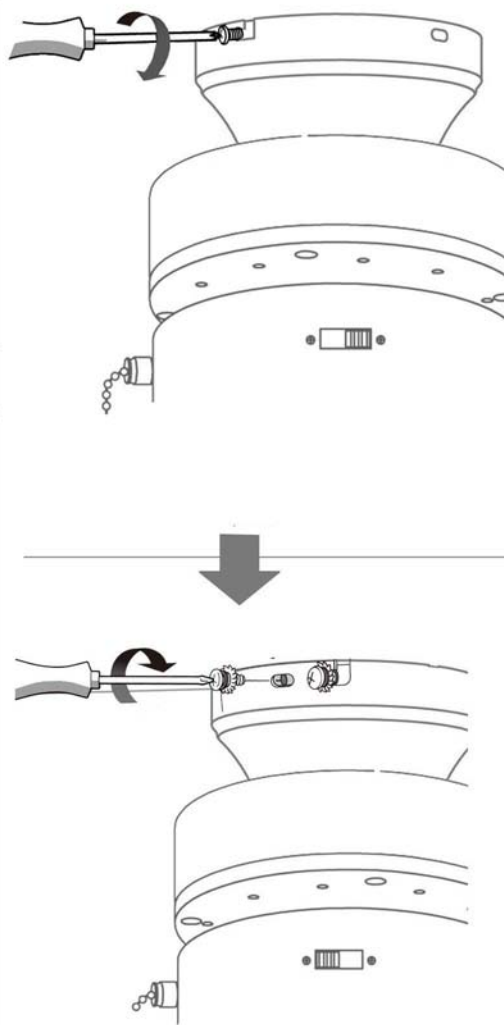




8-2

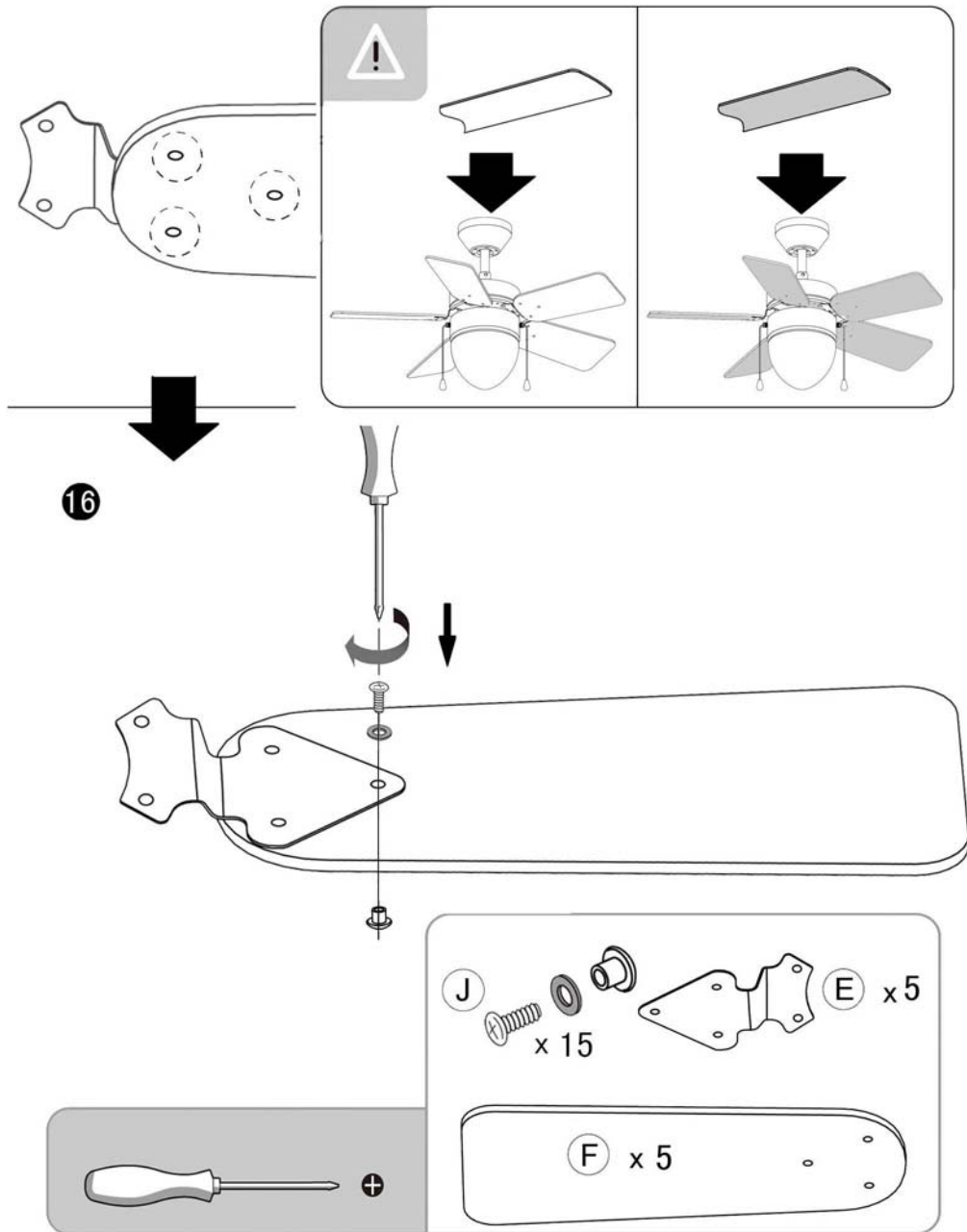


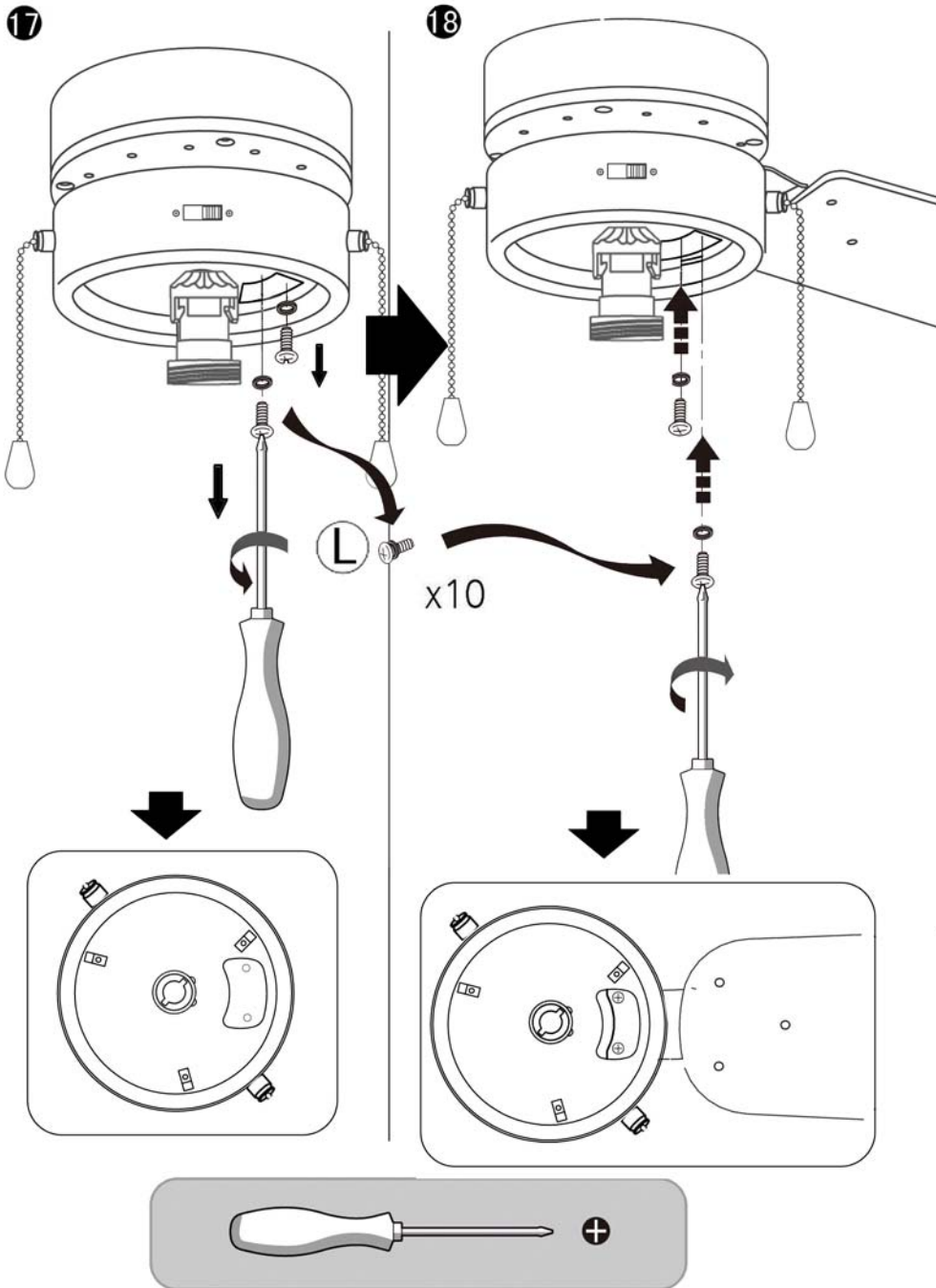
9-2



   (K)  x2

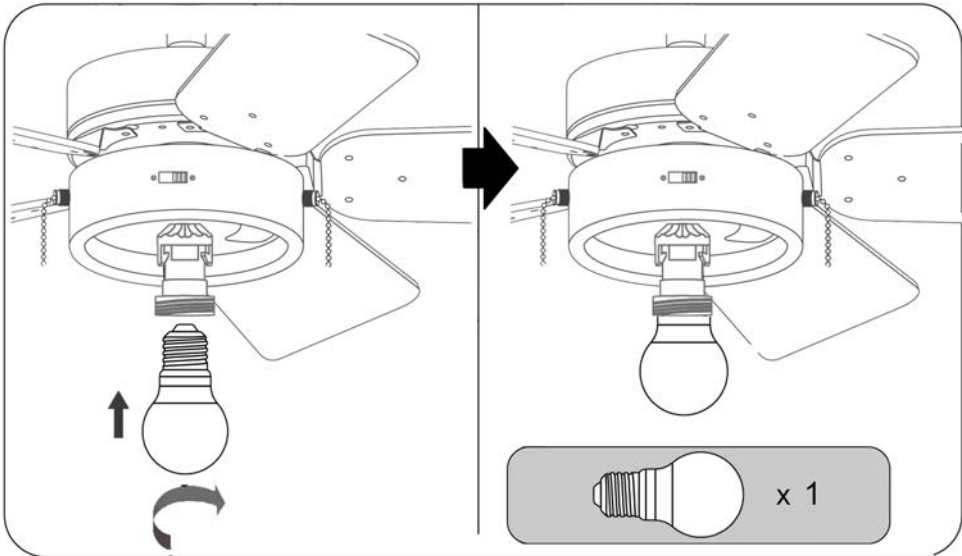
9



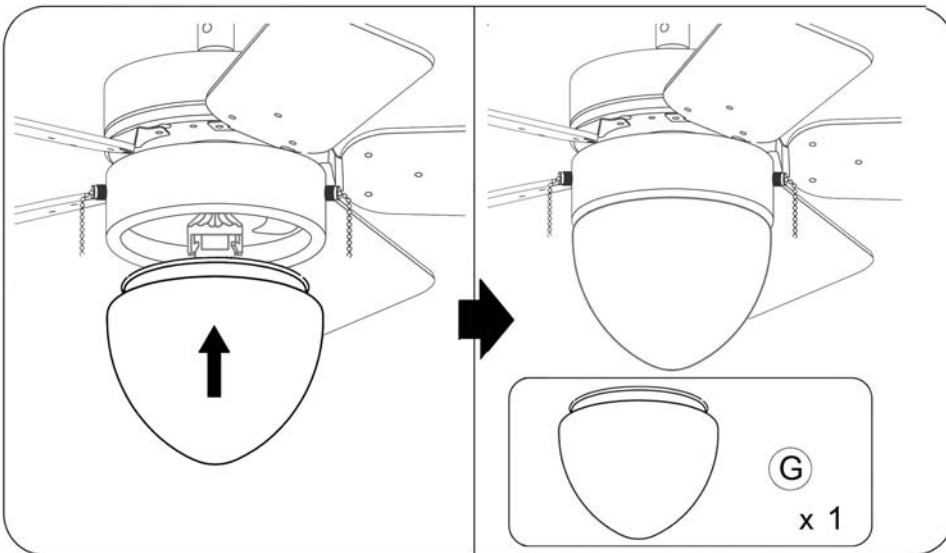


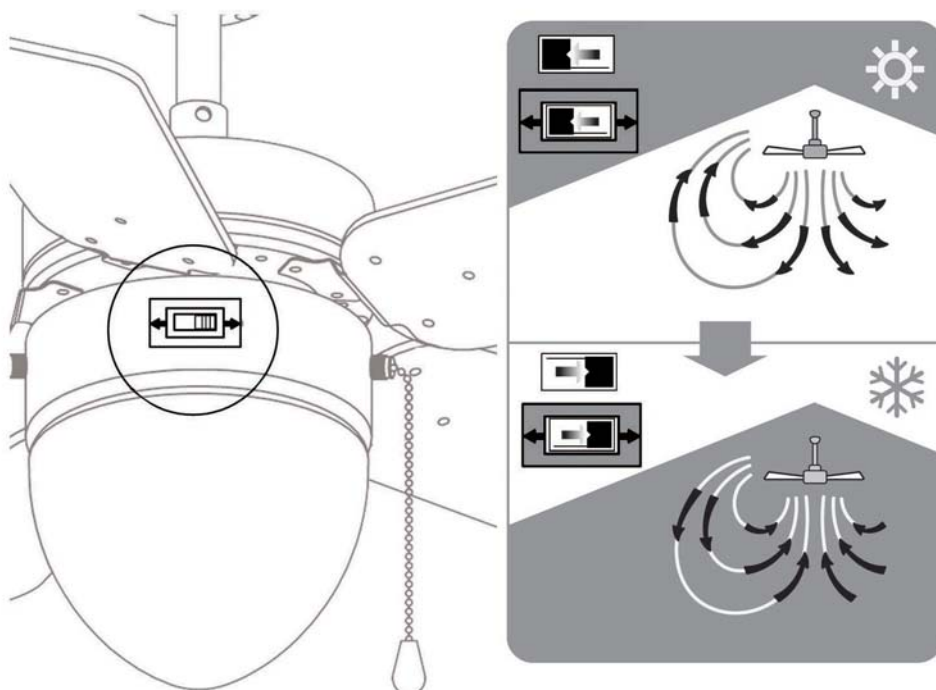
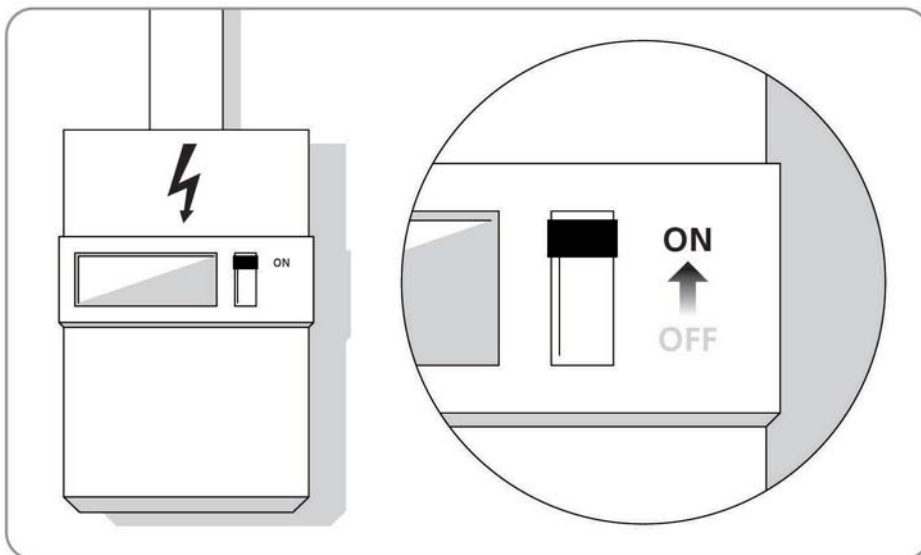
11

19



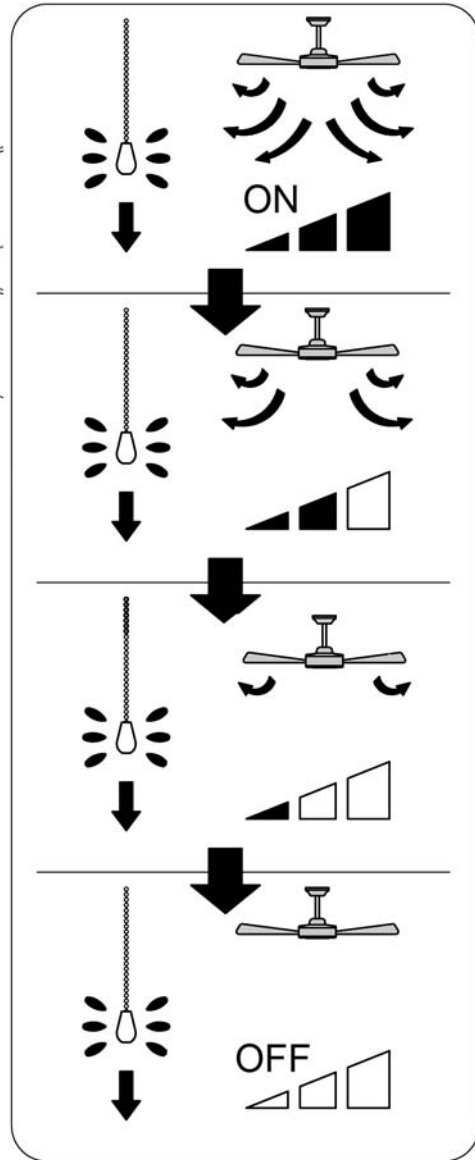
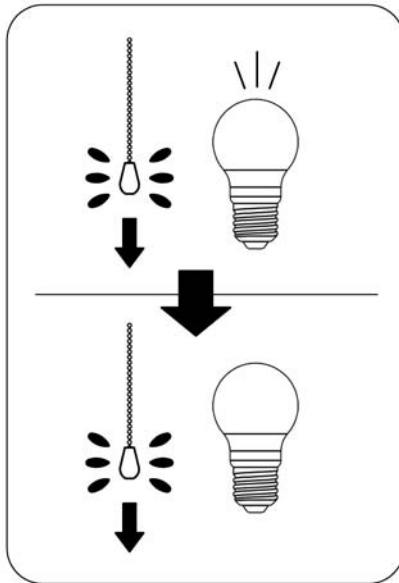
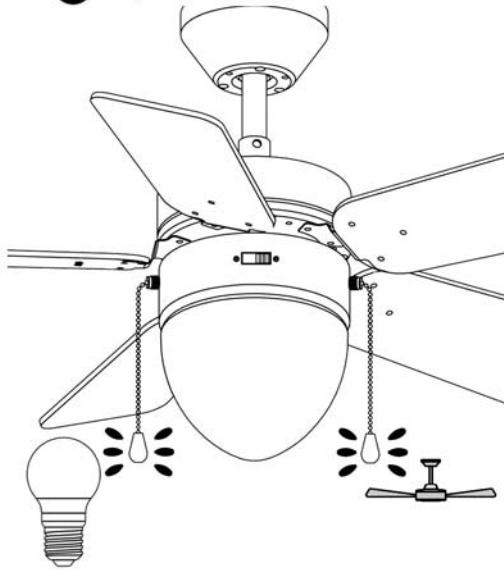
20







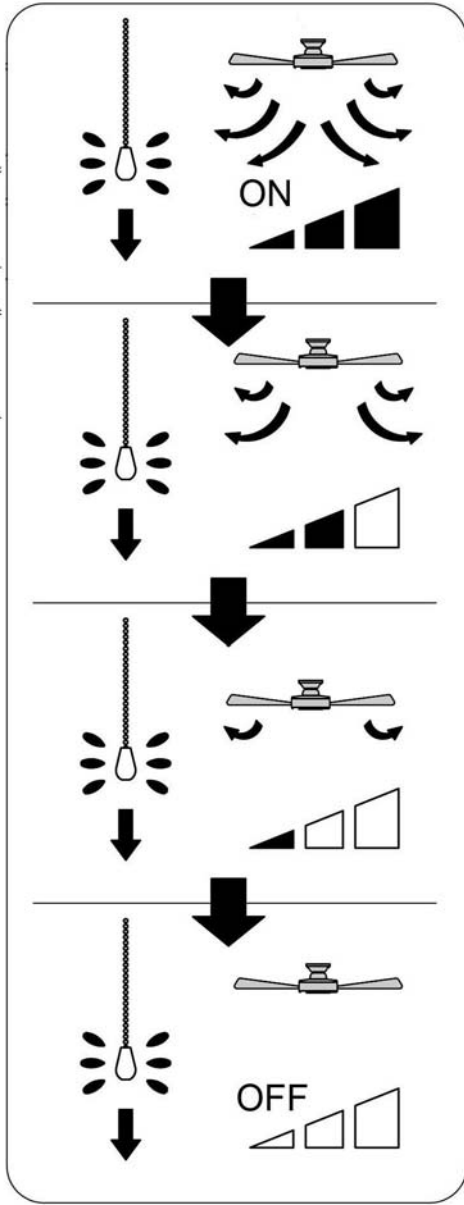
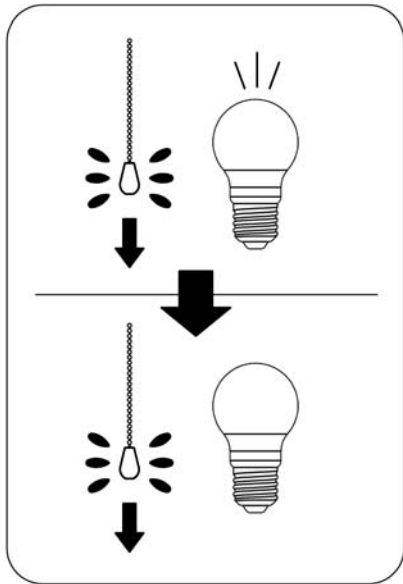
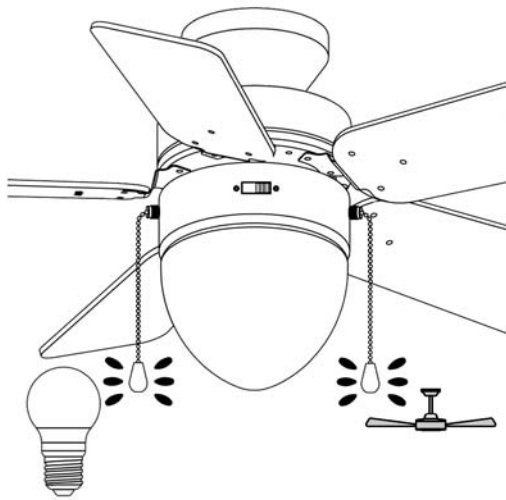
21 -1





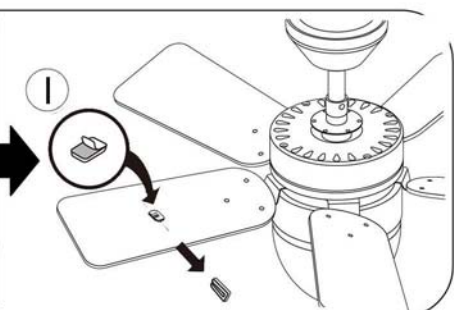
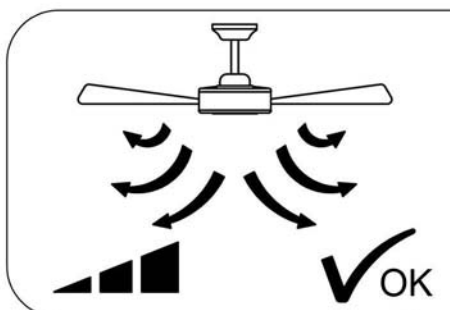
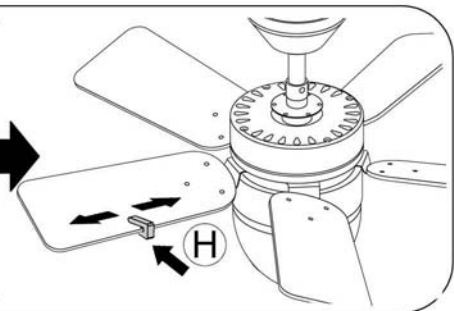
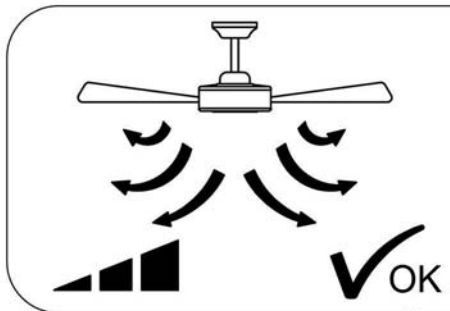
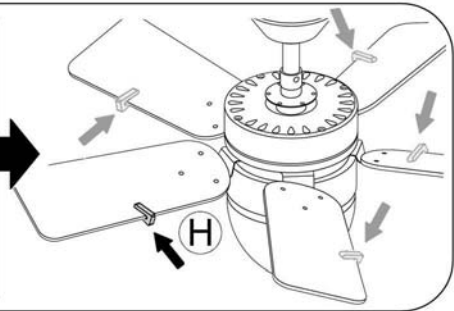
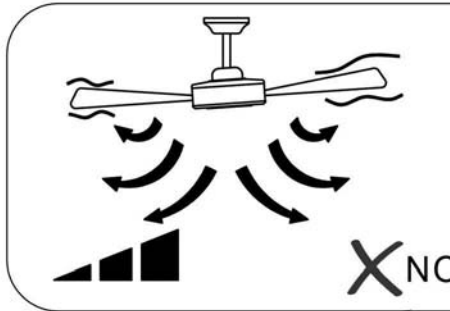
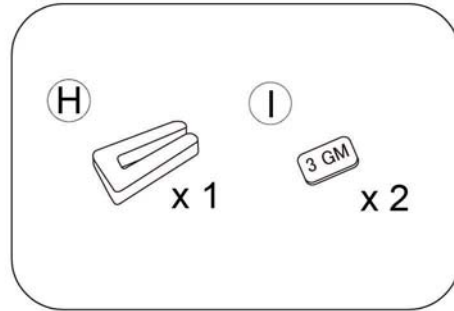
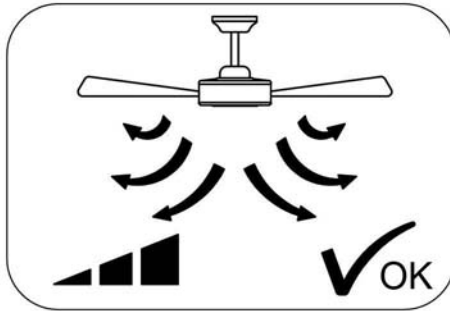


21-2





22 -1





22-2

