



Gebruiksaanwijzing  
Notice d'emploi  
Benutzerhandbuch  
User manual  
Manual de usuario



HUE serial number

17429/\*\*/P7



17430/\*\*/P7



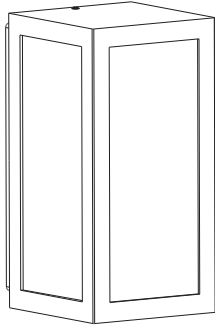
# PHILIPS

Incl.

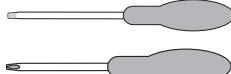
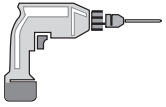
**A**



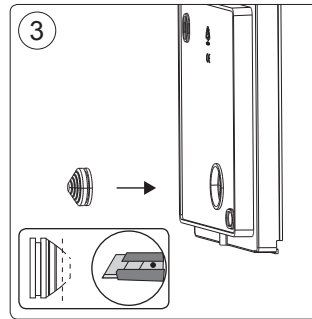
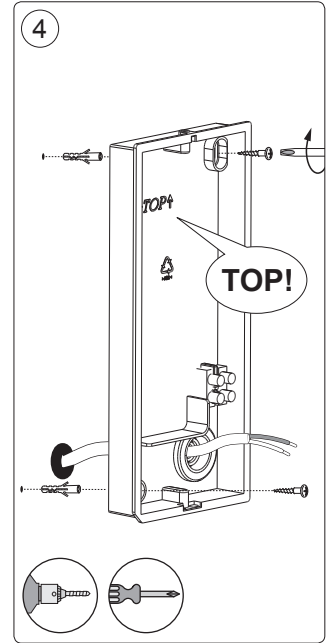
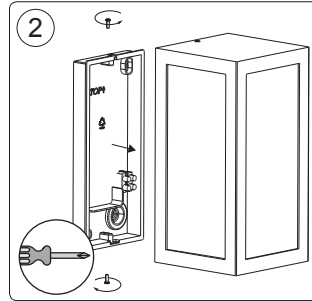
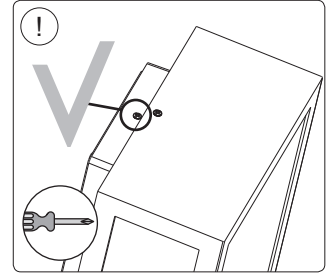
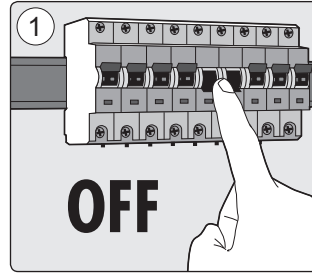
**B**

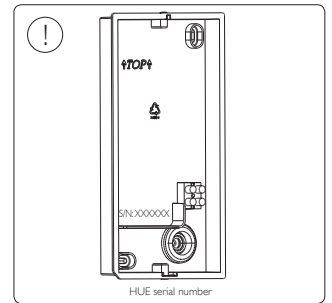
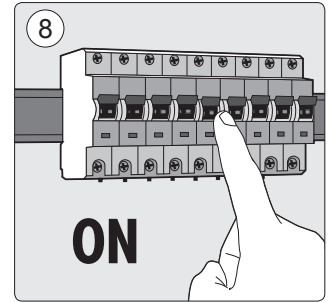
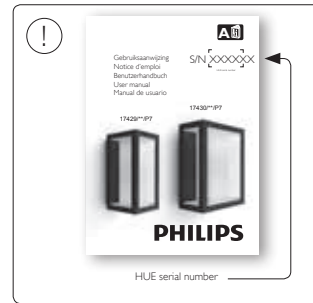
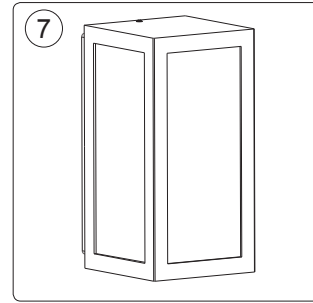
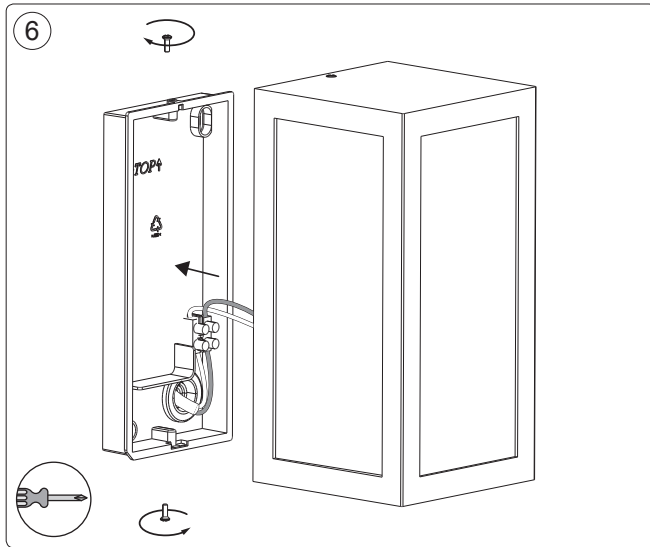
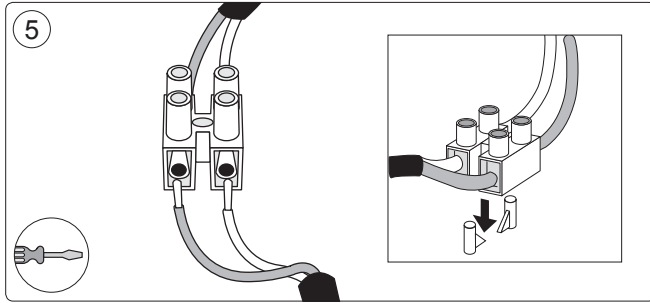


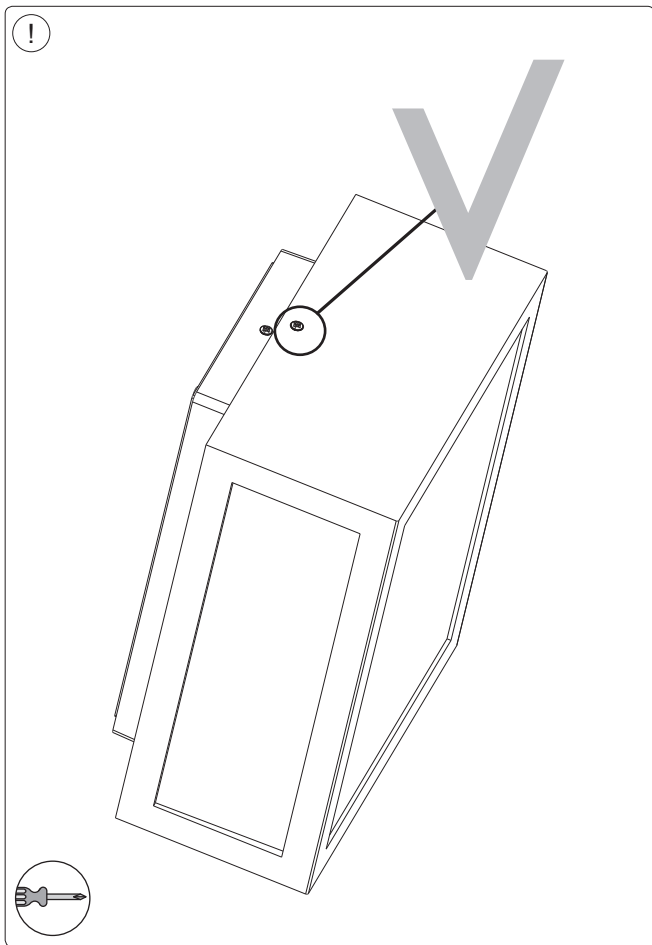
Excl.



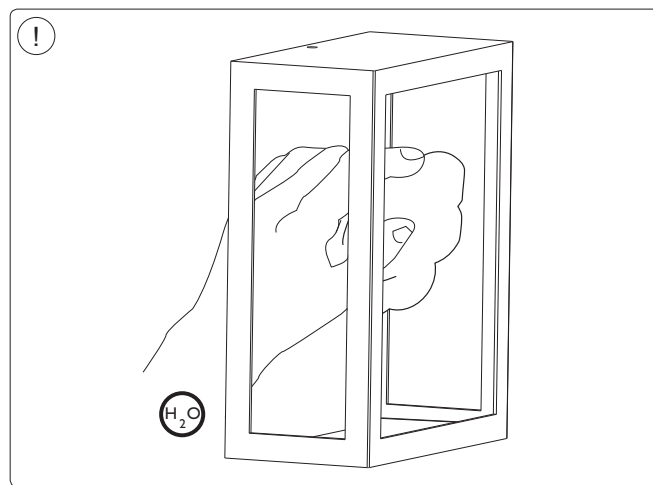
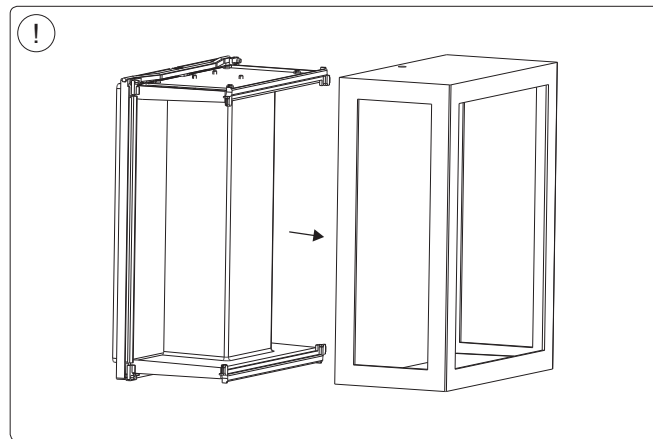
[www.meethue.com/getstarted](http://www.meethue.com/getstarted)







6



7



Signify  
I.B.R.S. / C.C.R.I. Numéro 10461  
5600 VB Eindhoven, the  
Netherlands  
☎ 00800-74454775

Signify Australia Limited  
65 Epping Road, North Ryde,  
NSW, 2113 Australia  
Toll Free number: 1300 304 404

Signify New Zealand Limited  
123 Carlton Gore Road  
Newmarket, Auckland 1023  
New Zealand  
Tel: 0800 454 448

[www.meethue.com](http://www.meethue.com)

440402910891  
© 2019 Signify Holding  
Last update: 17/09/18