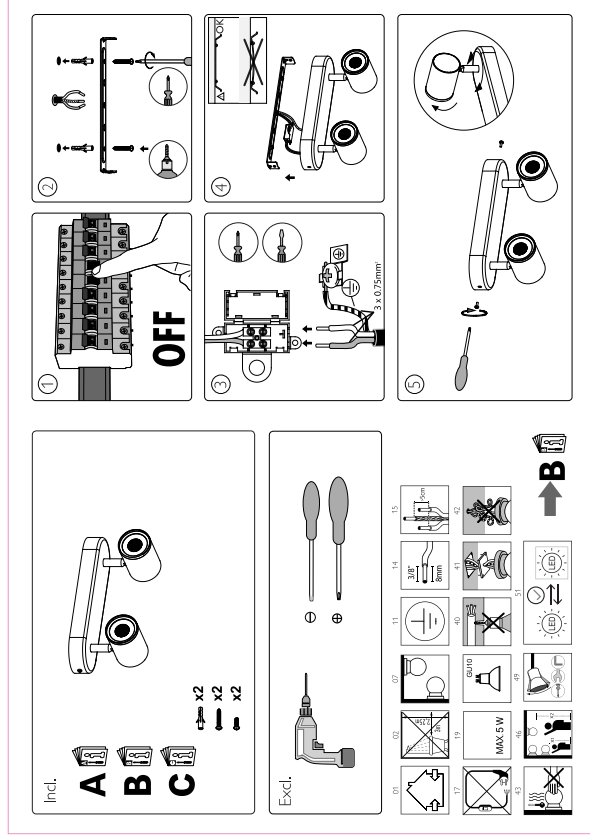
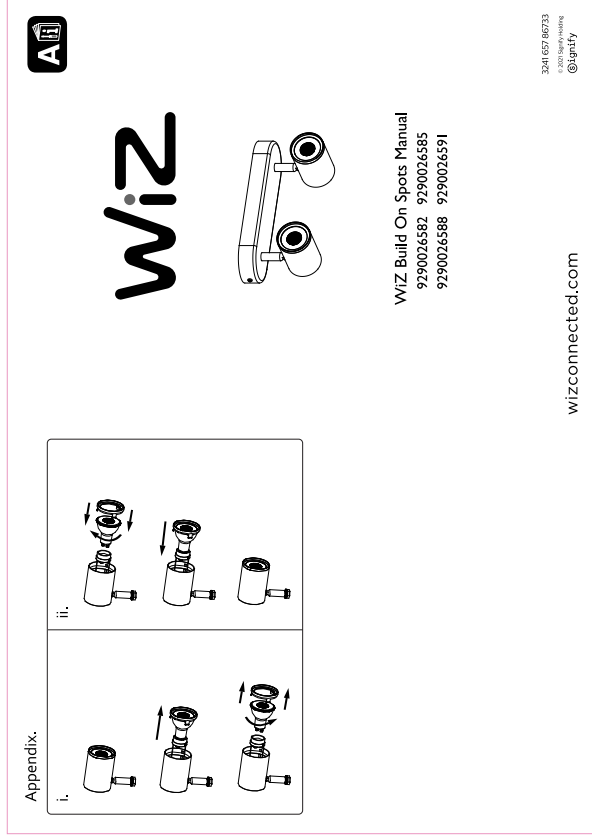


All rights are reserved. Reproduction in whole or part is prohibited without the written consent of the copyright owner.

| | | | | | | | | |
|---------------|--|----------------------------|-------------------------|-------------|--------|------------|---------------|----------------------|
| Document Info | Code 12NC: 324165786733 | Designer: | Duplexbox: 324165786733 | Change Info | Author | Date | Change number | Revision description |
| | Description: Wiz Build on Spots 2x5W 927-65 W TW | Design date: 2021-05-27 | EAN1 number: N/A | | SH SGS | 2021/05/27 | | |
| Basic Info | | | Die-Cut: N/A | | | | | |
| | | | Surface treatment: N/A | | | | | |
| | | | CRC: CRC000 | | | | | |

SIZE: 210X148MM (OPEN)
PAPER MATERIAL / 材质: 80G OFFSET PAPER / 80G 双胶纸
VARNISH: N/A
COLOR: SINGLE BLACK

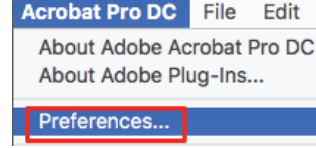


| SIGNIFY | |
|------------------|---|
| Brand | WIZ |
| Product Family | LED |
| Shape | |
| Weight | |
| Template Ref. | N/A |
| SGS number | 6218274 |
| 12NC/MBR | 324165786733 |
| Masterdrawing | N/A |
| CRC Ref. | |
| Barcode No. | N/A |
| Operator(s) | janezheng |
| VERSION No. | V1 |
| Date in | 2021/11/10 |
| Date amended | 2021/05/28 |
| Blind | <input type="checkbox"/> |
| Diecut | <input type="checkbox"/> |
| Date Check | <input type="checkbox"/> Check briefing Traffic |
| Artwork document | <input type="checkbox"/> Legend <input type="checkbox"/> Number of colors <input type="checkbox"/> Trapping/Bleed <input type="checkbox"/> Images hires <input type="checkbox"/> Jobsizes |
| Approval | |
| QC Lithographer | SGS Shanghai Production |
| Product Manager | sally.sun@signify.com |
| Traffic Manager | Sadie Shen |

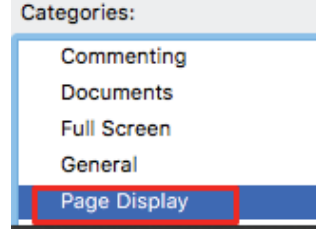
| | | |
|--------------------|---|--|
| DISCLAIMER: | Please note that the original artwork was not built by SGS. SGS only made change on specific content as listed in below. Therefore, SGS does not hold any responsibility for other content in this file. If you have any questions regarding the artwork, please contact with Philips Lighting PCC accordingly. | |
| Author/作者 | Date/日期 | Revision description/更改描述 |
| Jane zheng | 2021-05-26 | use customer file "3241 657 86733.pdf" to create leaflet |

Acrobat PDF View Setting
确保PDF显示正确，请按以下设定叠印预览：

Step 1



Step 2



Step 3

