



High-performance and sustainable LED Solar luminaires

Gizmo Solar

Gizmo Solar is a range of high-performance solar outdoor LED luminaires using renewable energy sources with zero electricity consumption, no installation cost and is virtually maintenance-free.

Sylvania Gizmo Solar range consists of wall lights, bollards, ground lights and floodlights to cover every aspect of outdoor illumination,

whether to cover expansive gardens, porch, sheds, outhouses, pathways, driveways or a large area in need of lighting and improve safety and security.

Designed for outdoor applications, it comes with a high IP54/IP65 rating, high lumen output up to 920lm and three years warranty for complete peace of mind

Gizmo Solar

The range

Wall lights



Flood Lights



Features

- Environment-friendly and high-performance solar-powered LED luminaires to make your gardens and outdoors stand out
- Provide general illumination, uplift the décor and improve safety and security by illuminating the surroundings
- The ideal solution for lighting up external locations where mains power is not available
- No exorbitant energy bills - 100% powered by renewable solar energy
- Integrated PIR sensor and daylight sensors - to improve battery life and operational hours
- Automatic light management - light up automatically when it gets dark after detecting any motion
- Inbuilt ON/OFF/AUTO* switch
- Easy installation - no direct mains wiring or connection required
- Portable - can be moved around as per requirement
- High lumen output - up to 920lm
- High IP rating - IP54/IP65
- Long rated lifetime - up to 30,000 hours
- Long battery life. Battery charging time - up to 6-8 hours under ideal lighting conditions
- Robust construction
- Perfect for gardens, flower beds, porch, garage, sheds, outhouses, outdoor offices, fence lighting, driveways, pathways and so on
- Comes with three years warranty for complete peace of mind, excluding battery (1-year warranty)





Ground lights



Bollards



Gizmo Solar Wall Light Lantern



Features

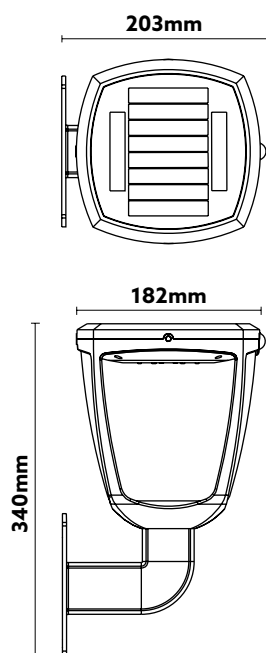
- Outdoor solar wall light in vintage design and black finish
- Integrated PIR sensor and daylight sensors
- Automatic light management - light up automatically when it gets dark after detecting any motion
- Easy installation - no direct mains wiring or connection required
- High lumen output - 345lm
- Long rated lifetime - 20,000 hours
- ON/OFF switch
- Robust construction - ABS housing and aluminium mounting bracket
- Perfect for porch, garage, sheds, outhouses, outdoor office, garden fence, gate lighting
- Colour temperature - Cool White 4000K
- Fixing kit included
- Operating temperature: -10°C to 40°C



Product information

Code	Description	Housing Colour	Housing Material	Function	Mounting	CCT (K)	Luminous Flux (lm)	Power (W)	Efficacy (lm/W)	CRI (Ra)	Battery Rating	Packaging Qty
0054040	Gizmo Solar Wall Light Lantern	Black	ABS and Aluminium	ON/OFF	Wall	4000	345	4.5	77	80	18650 3.7V 2200mAh Li-ion	6

Dimensions (mm)



Gizmo Solar Wall Light



Features

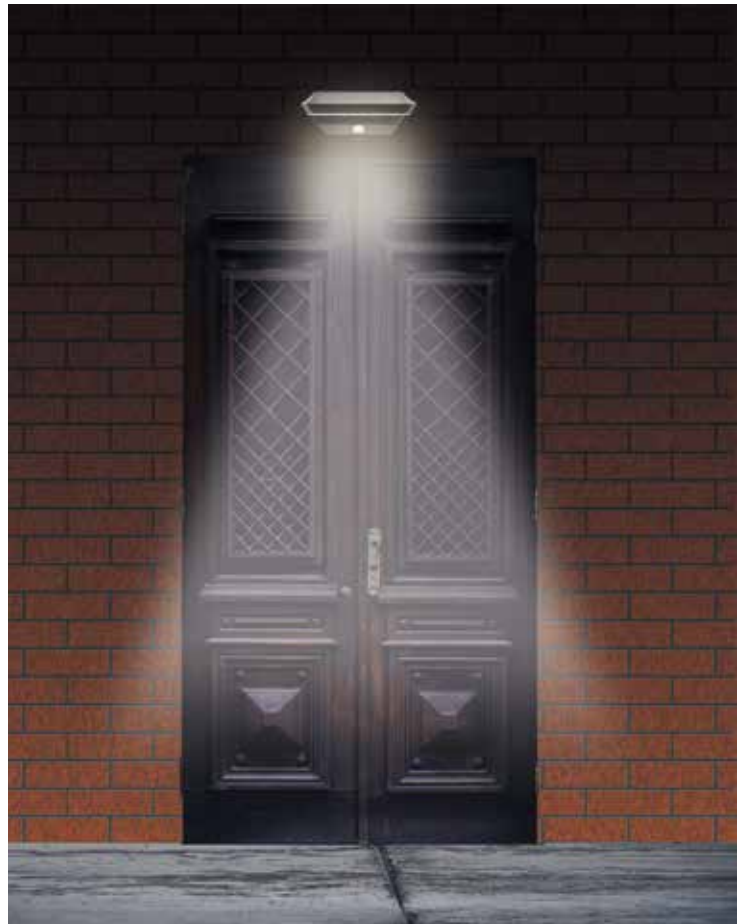
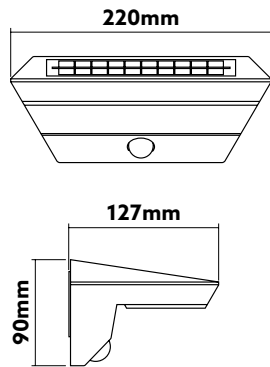
- Sleek and modern design solar outdoor wall light in black finish
- Integrated PIR sensor and daylight sensors
- Automatic light management - light up automatically when it gets dark after detecting any motion
- Easy installation - no direct mains wiring or connection required
- High lumen output - 290lm
- Long rated lifetime - 20,000 hours
- ON/OFF switch
- Robust construction - ABS housing
- Perfect for porch, garage, sheds, outhouses, outdoor office, garden fence, gate lighting
- Colour temperature - Cool White 4000K
- Fixing kit included
- Operating temperature: -10°C to 40°C



Product information

Code	Description	Housing Colour	Housing Material	Function	Mounting	CCT (K)	Luminous Flux (lm)	Power (W)	Efficacy (lm/W)	CRI (Ra)	Battery Rating	Packaging Qty
0054041	Gizmo Solar Wall Light	Black	ABS	ON/OFF	Wall	4000	290	4.5	64	80	18650 3.7V 2200mAh Li-ion	6

Dimensions (mm)



Gizmo Solar - DC Garden Torch



Features

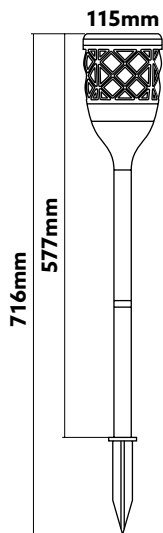
- Beautiful lantern light with stunning flickering flame effect helps to create a cosy atmosphere in the garden or indoors
- Suitable for indoor and outdoor illumination as the product can operate on a dual-power mode - solar and USB battery chargingy
- Integrated daylight sensors
- Automatic light management - light up automatically when it gets dark after detecting any motion
- Easy installation - no direct mains wiring or connection required
- Lumen output- 78lm
- Long rated lifetime - 25,000 hours
- ON/OFF switch
- Robust construction - ABS housing
- Perfect for gardens, flower beds, pathways, driveways, living rooms, corridors, staircase as a stand out feature
- Colour temperature - Candlelight 1500K
- Operating temperature: -10°C to 45°C



Product information

Code	Description	Housing Colour	Housing Material	Function	Mounting	CCT (K)	Luminous Flux (lm)	Power (W)	Efficacy (lm/W)	CRI (Ra)	Battery Rating	Packaging Qty
0054044	Gizmo Solar - DC Garden Torch	Black	ABS	ON/OFF	Inground / free standing	1500	78	2	39	80	18650 3.7V 1200mAh Li-ion	6

Dimensions (mm)



Gizmo Solar Bollard Lantern



Features

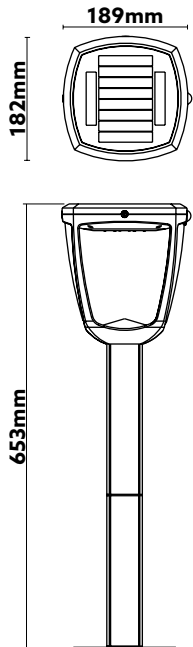
- Outdoor solar bollard in vintage design and black finish
- Integrated PIR sensor and daylight sensors
- Automatic light management - light up automatically when it gets dark after detecting any motion
- Easy installation - no direct mains wiring or connection required
- High lumen output - 345lm
- Long rated lifetime - 20,000 hours
- ON/OFF switch
- Robust construction - ABS housing and aluminium mounting bracket
- Perfect for gardens, flower beds, pathways, driveways, entrance
- Colour temperature - Cool White 4000K
- Fixing kit included
- Operating temperature: -10°C to 40°C



Product information

Code	Description	Housing Colour	Housing Material	Function	Mounting	CCT (K)	Luminous Flux (lm)	Power (W)	Efficacy (lm/W)	CRI (Ra)	Battery Rating	Packaging Qty
0054042	Gizmo Solar Bollard Lantern	Black	ABS and Aluminium	ON/OFF	Surface	4000	345	4.5	77	80	18650 3.7V 2200mAh Li-ion	6

Dimensions (mm)



Gizmo Solar Bollard



Features

- Attractive and modern bollard in stainless steel finish
- Integrated PIR sensor and daylight sensors
- Automatic light management - light up automatically when it gets dark after detecting any motion
- Easy installation - no direct mains wiring or connection required
- Lumen output - 58lm
- Long rated lifetime - 20,000 hours
- ON/OFF switch
- Robust construction - Stainless steel housing and ABS spike
- Perfect decorative and general illumination in gardens, flower beds, pathways, driveways
- Colour temperature - Cool White 4000K
- Operating temperature: -10°C to 40°C



Product information

Code	Description	Housing Colour	Housing Material	Function	Mounting	CCT (K)	Luminous Flux (lm)	Power (W)	Efficacy (lm/W)	CRI (Ra)	Battery Rating	Packaging Qty
0054043	Gizmo Solar Bollard	Stainless steel	ABS and Stainless Steel	ON/OFF	Inground	4000	58	1.3	45	80	18650 3.7V 1300mAh Li-ion	6

Dimensions (mm)



Gizmo Solar Ground Light



Features

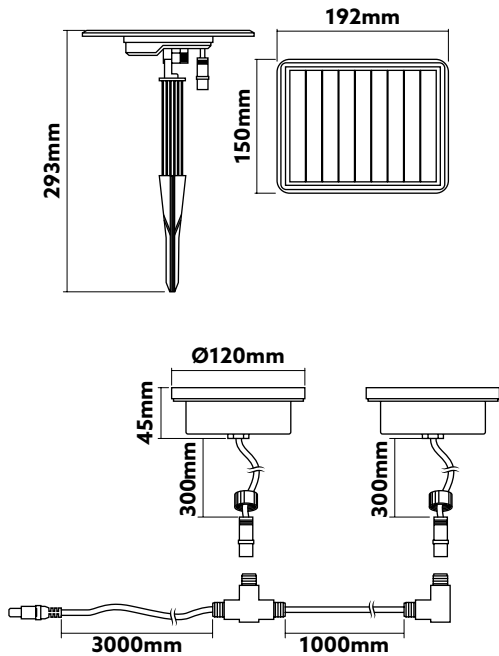
- High quality inground solar light with twin LED lights and external solar panel
- Integrated daylight sensors
- Automatic light management - light up automatically when it gets dark after detecting any motion
- Easy installation - plug and play solution
- High lumen output - 56lm x 2
- Long rated lifetime - 25,000 hours
- ON/OFF switch
- Robust construction - stainless steel and ABS housing
- Perfect for gardens, flower beds, pathways, tree lighting
- Colour temperature - Cool White 4000K
- Operating temperature: -10°C to 40°C



Product information

Code	Description	Housing Colour	Housing Material	Function	Mounting	CCT (K)	Luminous Flux (lm)	Power (W)	Efficacy (lm/W)	CRI (Ra)	Battery Rating	Packaging Qty
0054047	Gizmo Solar Ground Light	Stainless steel	ABS and Stainless Steel	ON/OFF	Surface/ In-ground	4000	56 + 56	2	56	80	18650 3.7V 2600mAh Li-ion	6

Dimensions (mm)



Gizmo Solar Flood



Features

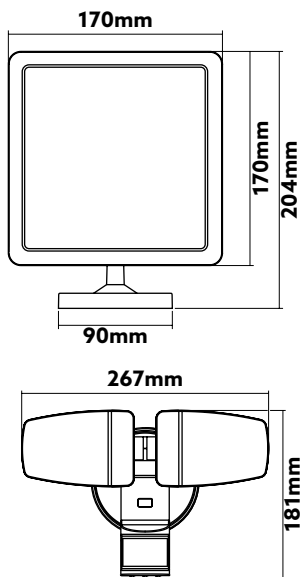
- High lumen output floodlights with an external solar panel to optimise charging position
- The ideal solution to light up locations with no mains power and improve safety and security
- Integrated PIR sensor and daylight sensors
- Automatic light management - light up automatically when it gets dark after detecting any motion
- Easy installation - no direct mains wiring or connection required
- High lumen output - 920lm
- Long rated lifetime - 30,000 hours
- ON/OFF/AUTO switch
- Robust construction - ABS housing
- Perfect for porch, garage, sheds, outhouses, fence lighting, boundaries, gate lighting
- Colour temperature - Cool White 4000K
- Fixing kit included
- Operating temperature: -10°C to 35°C



Product information

Code	Description	Housing Colour	Housing Material	Function	Mounting	CCT (K)	Luminous Flux (lm)	Power (W)	Efficacy (lm/W)	CRI (Ra)	Battery Rating	Packaging Qty
0054045	Gizmo Solar Flood	Black	ABS	ON/OFF/AUTO	Wall	4000	920	10	92	80	2 x 18650 3.7V 2000mAH Li-on	6

Dimensions (mm)



Gizmo Solar Flood Adjustable



Features

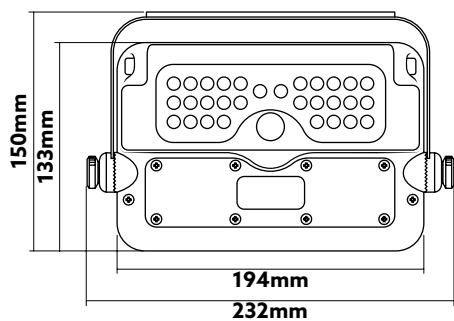
- Adjustable solar flood lights with flexible mounting option to optimise illumination and solar charging
- The ideal solution to light up locations with no mains power and improve safety and security
- Integrated PIR sensor and daylight sensors
- Automatic light management - light up automatically when it gets dark after detecting any motion
- Easy installation - no direct mains wiring or connection required
- High lumen output - 450lm
- Long rated lifetime - 30,000 hours
- ON/OFF switch
- Robust construction - ABS housing and aluminium bracket
- Perfect for porch, garage, sheds, outhouses, fence lighting, boundaries, gate lighting
- Colour temperature - Cool White 4000K
- Fixing kit included
- Operating temperature: -10°C to 45°C



Product information

Code	Description	Housing Colour	Housing Material	Function	Mounting	CCT (K)	Luminous Flux (lm)	Power (W)	Efficacy (lm/W)	CRI (Ra)	Battery Rating	Packaging Qty
0054046	Gizmo Solar Flood Adjustable	Black	ABS and Aluminium	ON/OFF	Wall / free standing	4000	450	5	90	80	18650 3.7V 3000mAh Li-ion	6

Dimensions (mm)



SYLVANIA



CE UK
CA



Although every effort has been made to ensure accuracy in the compilation of the technical detail within this publication, specifications and performance data are constantly changing. Current details should therefore be checked with Feilo Sylvania International Group Kft.

Copyright Feilo Sylvania International Group Kft. May 2022

sylvania-lighting.com

A Feilo Sylvania Company